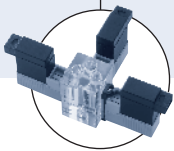


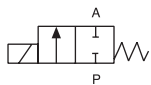
Type 6124 can be combined with...



#### Manifolds

Thanks to the patented Bürkert flipper technology, the direct-acting Type 6124 solenoid valve is unique. It combines fast, precise switching behaviour with reliable media separation, and the design eliminates heat transfer between fluid and coil. FKM and PEEK allows the use of neutral and slightly aggressive fluids. The optional impulse model works with the smallest energy requirement, and is therefore especially suitable for battery operation; the heat transfer to the medium is negligible for this model. A minimal dead volume and gap-free internal design make it possible to use it in medical, analytical and laboratory technology.

#### Circuit function A



2/2-way valve, NC

#### Circuit function T



3/2-way valve,  
universal function

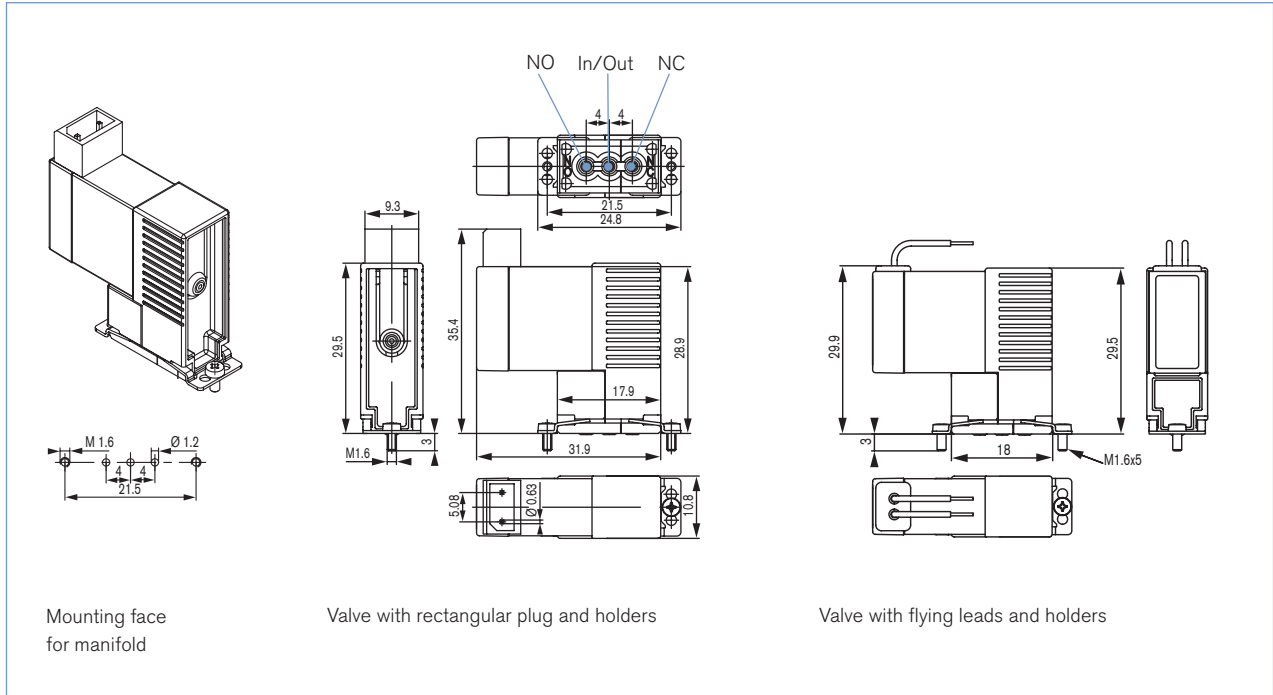
## 2/2 and 3/2-way Flipper Solenoid Valve, with hermetic isolation of fluid

- Low internal volume
- Low power consumption
- High back pressure tightness
- Optional impulse model
- DN 0.6 mm

#### Technical data

<b>Orifice</b>	DN 0.6 mm
<b>Body material</b>	PEEK
<b>Seal material</b>	FKM
<b>Media</b>	Resistant to neutral and slightly aggressive liquids and gases; see Bürkert chemical resistance chart
<b>Temperature media</b>	0 to 122°F (+50°C)
<b>Ambient temperature</b>	Max. 131°F (+55°C)
<b>Viscosity</b>	Max. 21 cSt
<b>Internal volume</b>	
Fluid chamber	Approx. 15µl
3/2-way versions	Approx. 45µl
2/2-way versions	Approx. 35µl
<b>Port connection</b>	Flange
Manifolds (PEEK, stainless steel)	UNF 1/4"-28, M3, Tube spigot on request
<b>Manual override</b>	Push manual override
<b>Operating voltage</b>	6, 12, 24 V/DC
<b>Voltage tolerance</b>	±10%
<b>Power consumption</b>	1.5 W
Duty cycle	100% continuous rating
Manifold mounting (in case Media- or ambient temperature higher 104°F (+40°C))	40% intermittent rating (10 min)
<b>Cycling function</b>	Monostable or bistable (option)
<b>Electrical connections</b>	Rectangular plug or 2 single flying leads, 300 mm
<b>Protection class</b>	IP 40 with rectangular plug IP 54 with flying leads
<b>Mounting</b> (sub-base valve)	with holders and mounting screw
<b>Installation</b>	As required, preferably with flange downwards

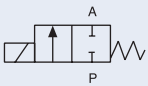
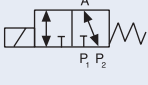
Dimensions [mm]



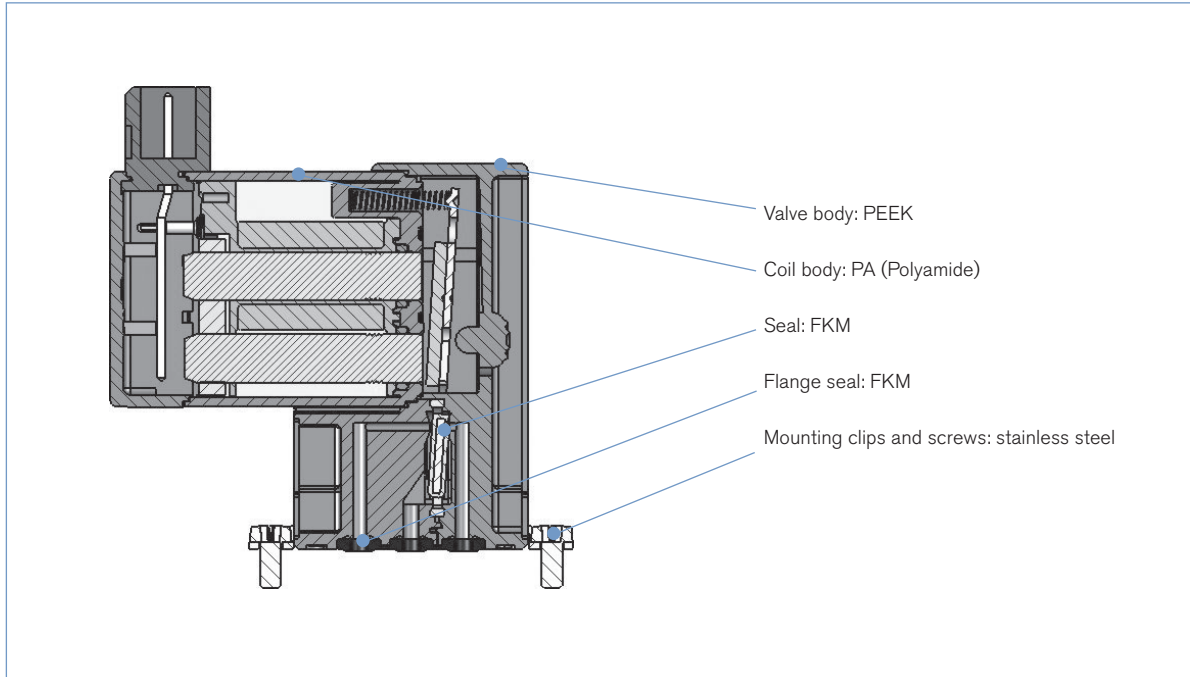
Ordering chart flange connection (other versions on request)

Valves with tube hose connector at lower side on request.

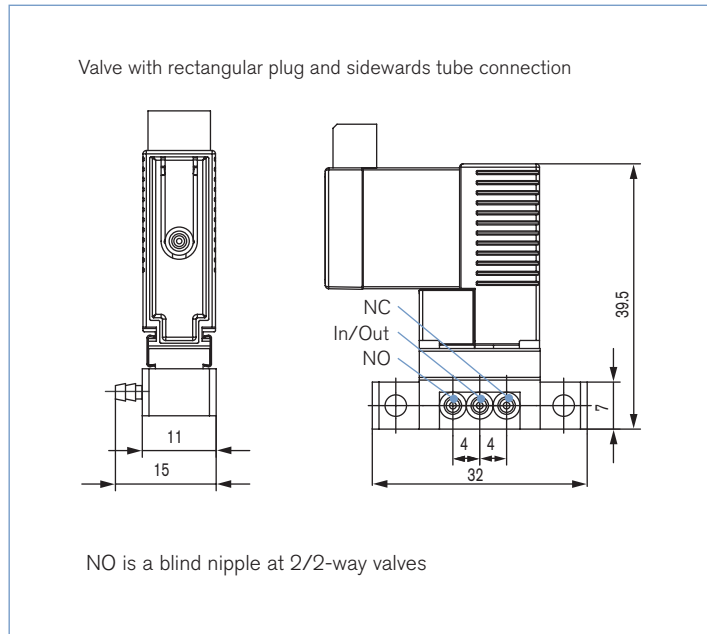
All valves with PEEK body and FKM seal, rectangular plug types delivered without plug (see Accessories). The delivery of each valve includes 2 holders with cheese head M 1.6 x 5 screws.

Circuit function	Orifice [mm]	C <sub>v</sub> value water [GPM]	Q <sub>Nn</sub> value air [l/min]	Pressure range [PSI]	Cycling function	Voltage/Frequency [V/Hz]	Electrical connection	Item no.				
 2/2-way valve, NC	0.6	0.007	6.4	Vac - 43.5	monostable	12/DC	Rectangular plug 5.08 mm	144 120				
							Flying leads, 300 mm	144 122				
						24/DC	Rectangular plug 5.08 mm	144 121				
											Flying leads, 300 mm	144 123
					bistable (impuls drive)	6/DC	Flying leads, 300 mm	146 175				
						12/DC	Rectangular plug 5.08 mm	143 376				
						Flying leads, 300 mm	146 176					
 3/2-way valve, universal function	0.6	0.007	6.4	Vac - 43.5	monostable	12/DC	Rectangular plug 5.08 mm	140 457				
							Flying leads, 300 mm	140 459				
						24/DC	Rectangular plug 5.08 mm	140 458				
										Flying leads, 300 mm	142 089	
					bistable (impuls drive)	12/DC	Rectangular plug 5.08 mm	140 460				
											Flying leads, 300 mm	143 171

Materials



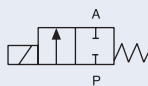
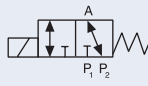
Dimensions valves [mm] with tube spigots sideways (tube spigots downwards on request)



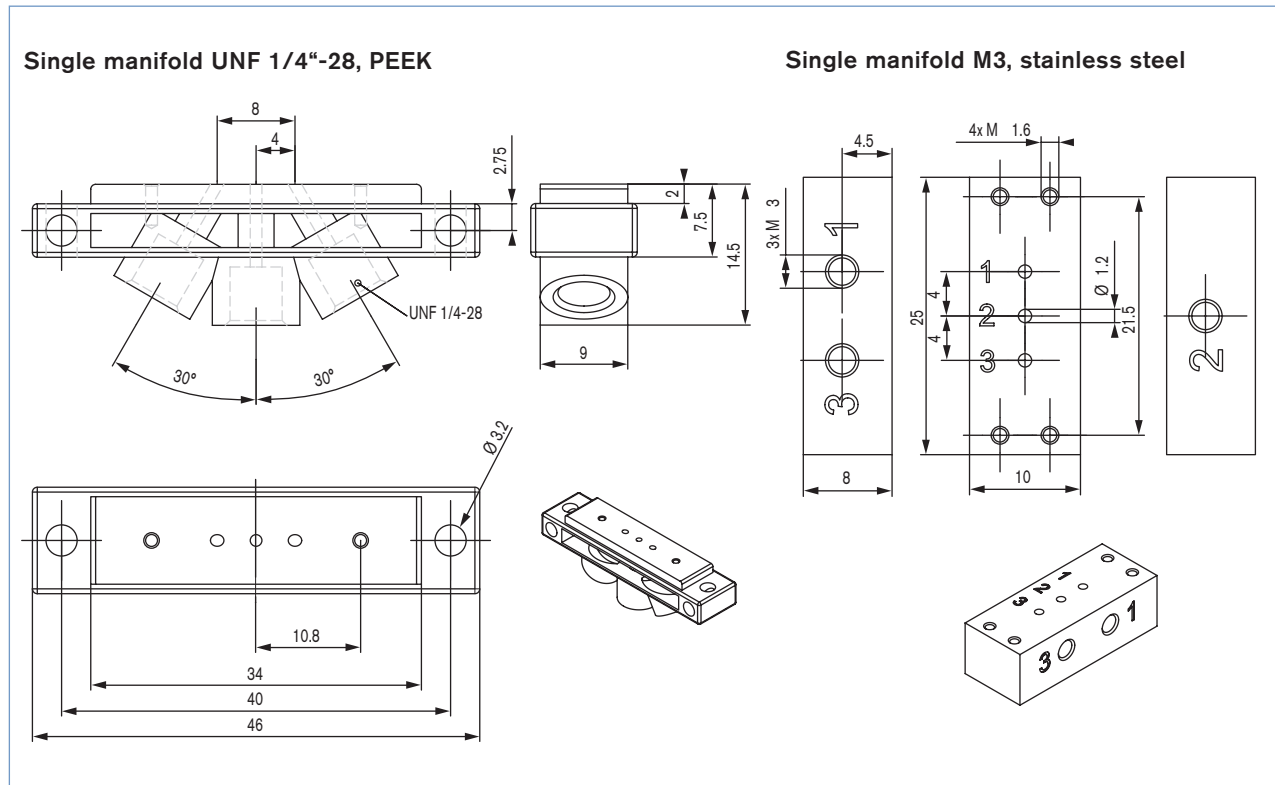
DTS 1000082087 EN Version: A Status: RL (released | freigegeben | validé) printed: 20.01.2015

**Ordering chart with tube spigots sideways (other versions on request)**

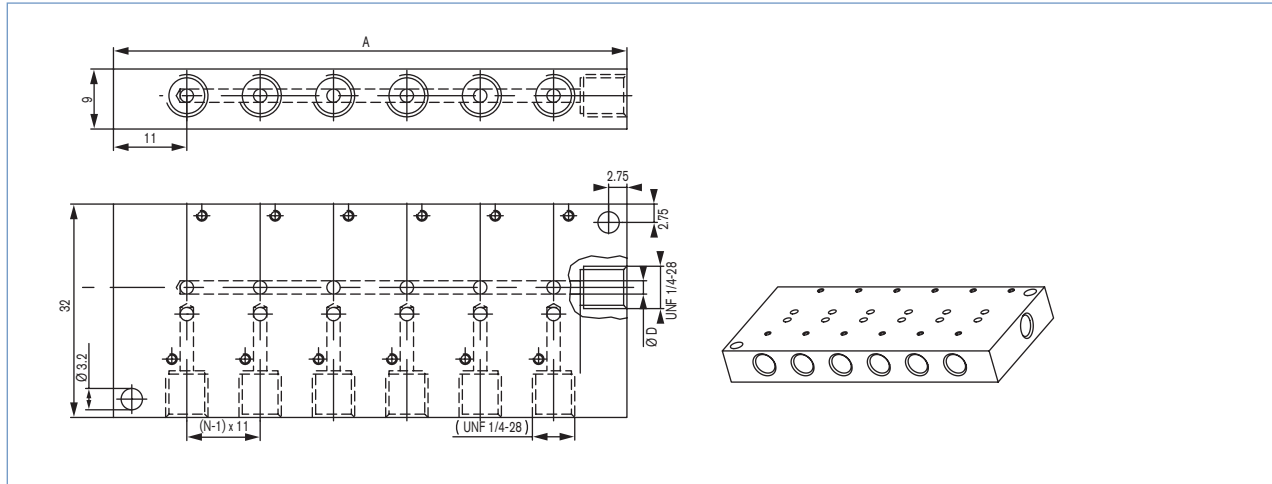
All valves with PEEK, PA (tube connection plate) and FKM seals, rectangular plug types delivered without plug (see Accessories).  
The PA tube connection plates are only available as part of the complete valve.

Circuit function	Orifice [mm]	C <sub>v</sub> value water [GPM]	Q <sub>Nn</sub> value air [l/min]	Pressure range [PSI]	Cycling function	Voltage/Frequency [V/Hz]	Electrical connection	Item no. tube spigots sideways
<b>A</b>  2/2-way valve, NC	0.6	0.007	6.4	Vac - 43.5	monostable	12/DC	Rectangular plug 5.08mm	145 646
							Flying leads 300mm	145 648
						24/DC	Rectangular plug 5.08mm	145 647
							Flying leads 300mm	145 649
<b>T</b>  3/2-way valve, universal function	0.6	0.007	6.4	Vac - 43.5	monostable	12/DC	Rectangular plug 5.08mm	145 641
							Flying leads 300mm	145 640
						24/DC	Rectangular plug 5.08mm	145 642
					Flying leads 300mm		146 643	
					bistable (impuls drive)	12/DC	Rectangular plug 5.08mm	145 645
							Flying leads 300mm	145 644

**Manifolds [mm]**



## Multi-station manifolds PEEK [mm]



Numer of valve positions	2	3	4	5	6	7	8	9	10
Dimensions A [mm]	33	44	55	66	77	88	99	110	121
Dimensions D [mm]	1.2	1.2	1.2	2	2	2	2	2	2

## Ordering chart accessories

Accessories	Feature	Item no.
Rectangular cable plug	with 3m cable	133 486
	with 300mm flying leads	644 068
	with 2 single contacts	644 067
Single PEEK manifold	with 3x UNF 1/4"-28	645 754
Single manifold stainless steel	with 3x M3 connection	644 684
Multi-station manifolds in PEEK	2 valves	659 285
	3 valves	659 286
	4 valves	659 287
	5 valves	653 131
	6 valves	659 288
	7 valves	659 289
	8 valves	659 290
	9 valves	659 291
	10 valves	651 379

## Other accessories on request:

- Customised manifolds
- Fittings and tubes (see also type 1013 AA05)
- Rectangular cable plug, grid spacing 5.08 mm, for plate mounting
- Peak and hold electronics